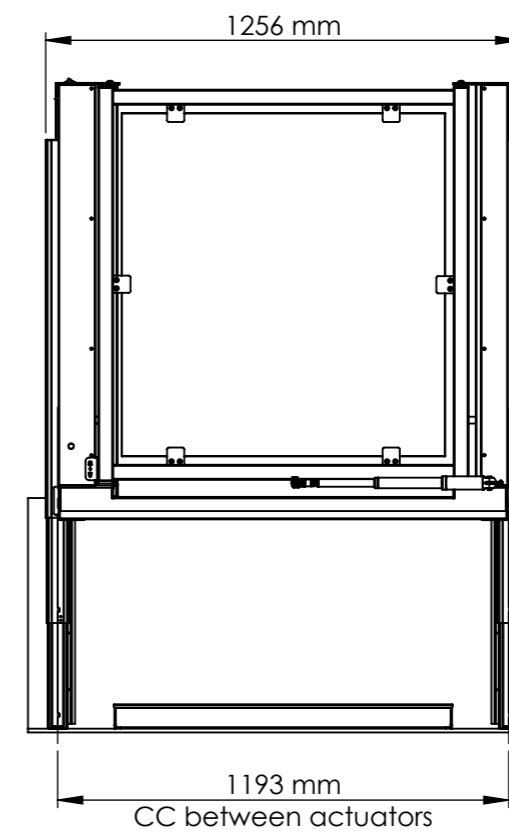
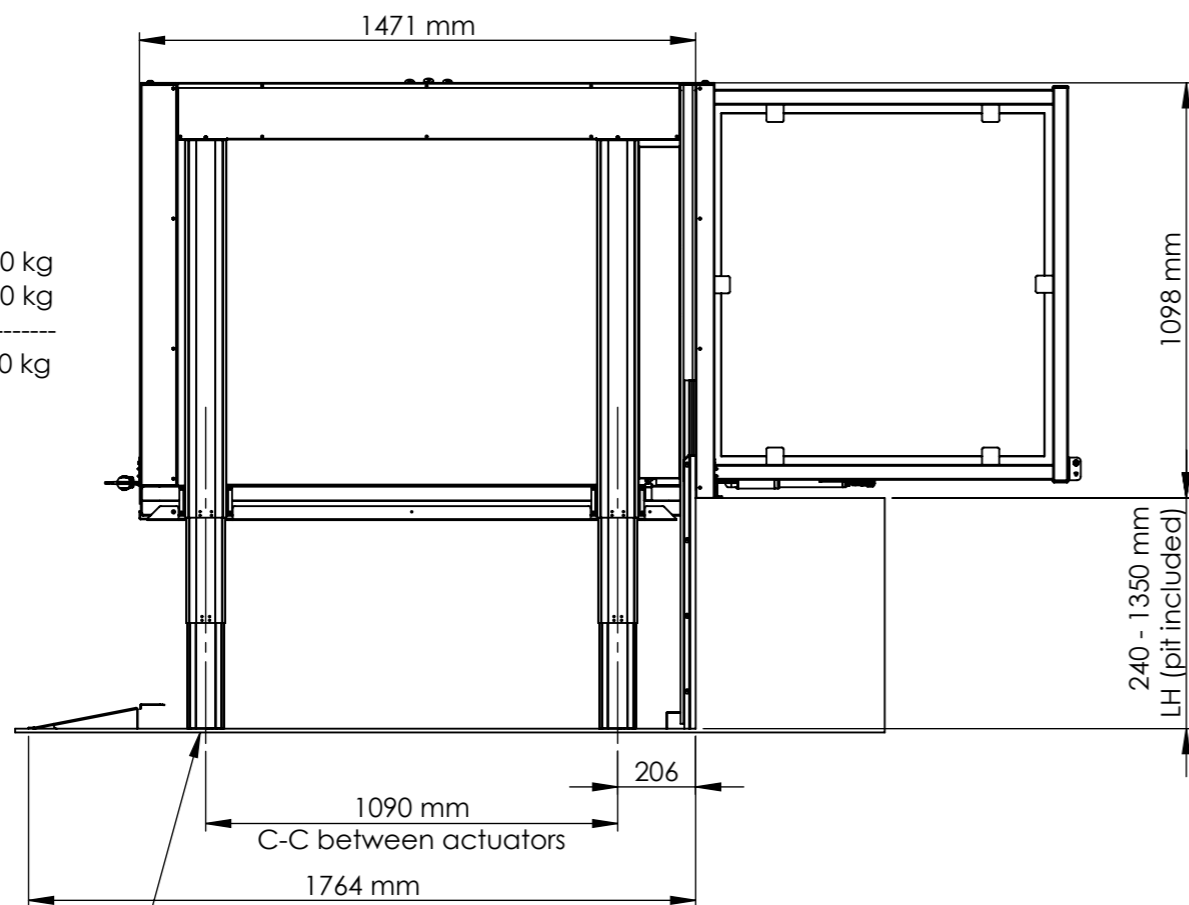
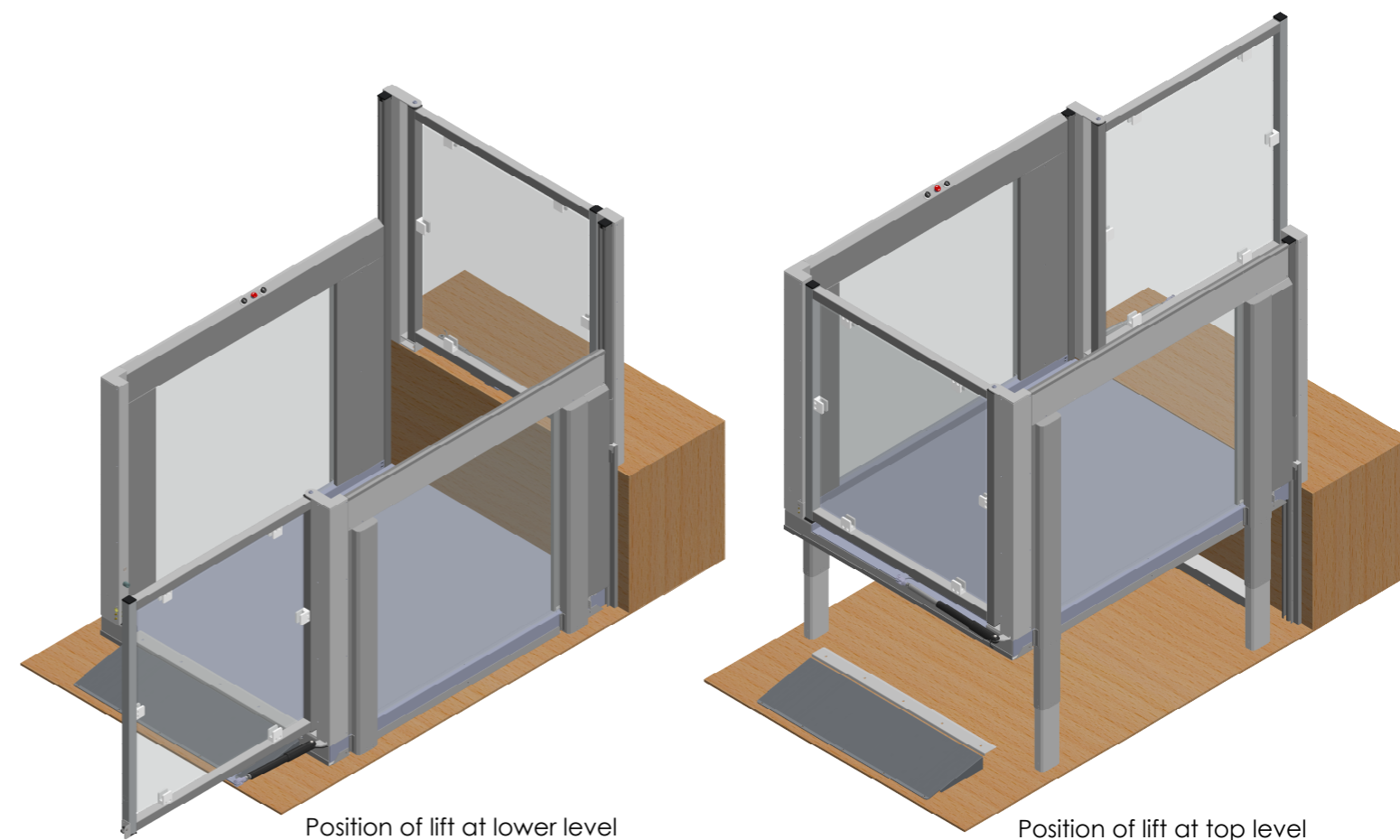
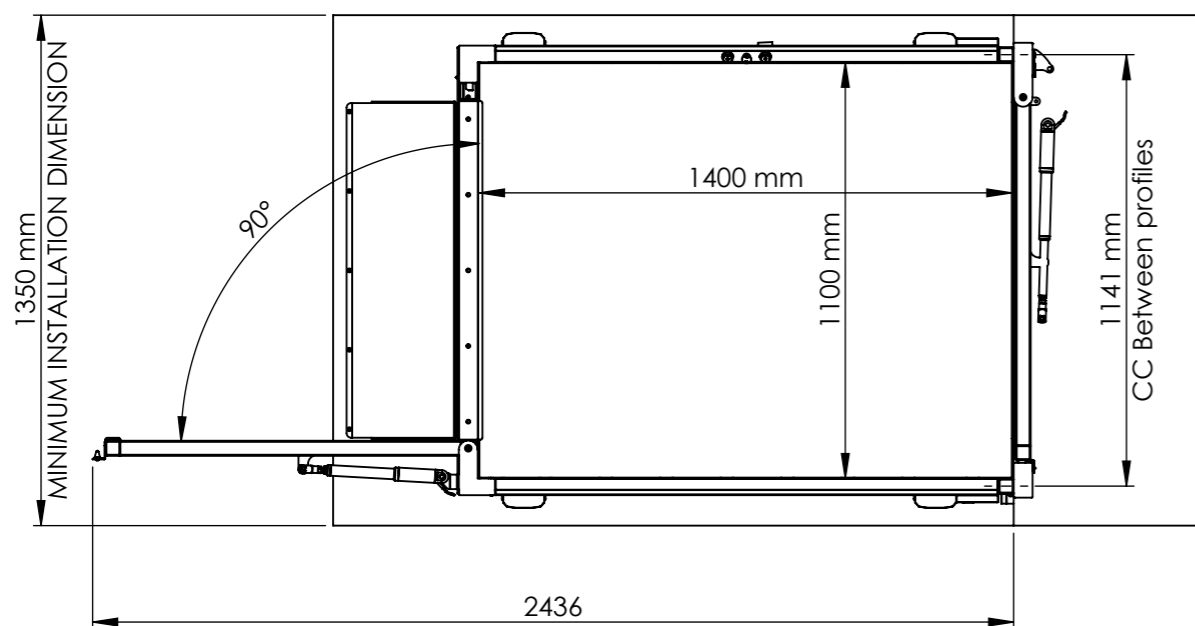


Max. weight on EasyLift = 400 kg
 Machine weight = 250 kg

 Total weight = 650 kg



Max. static weight/actuator 200 kg



DoorLeft_DoorLeft_NoPit

Rev.	By	Revision description	Trident EasyLift 1100 V4		TRIDENT	
G	-	-	Created date:	20-12-2016	Last change date:	10-03-2017
F	-	-	Materiale:	mm Bom	Tolerancer:	Sheet size: A3
B _R	E	-	Finish:	-	Weight:	Item Number: 103617
K-Factor	C	GC	Målsætning ændret	-	Scale:	1:20
	B	GC	Konfigurationer tilføjet	-	Version:	C
					Scale:	1:20
					Drawn by:	GC