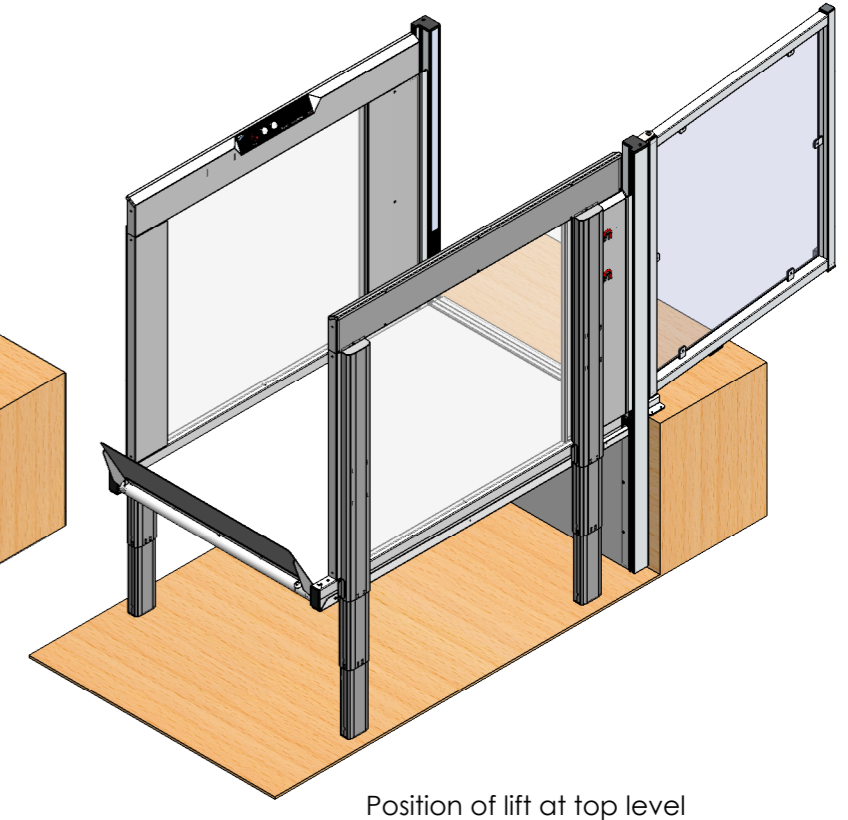
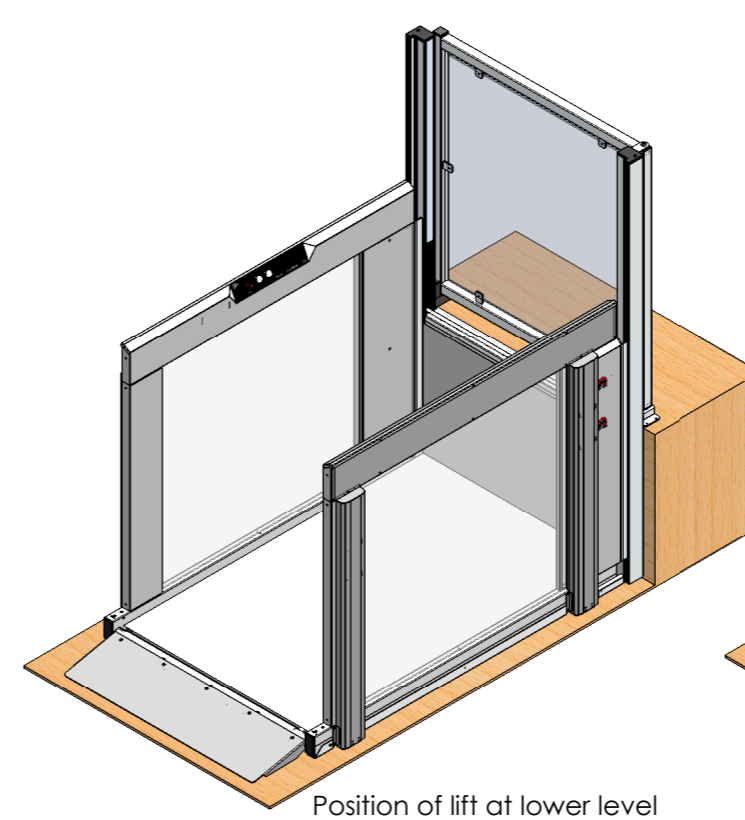
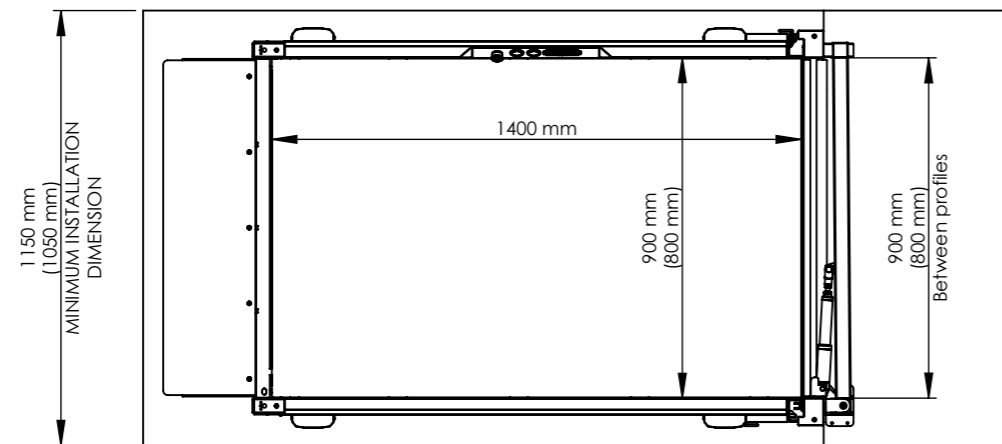
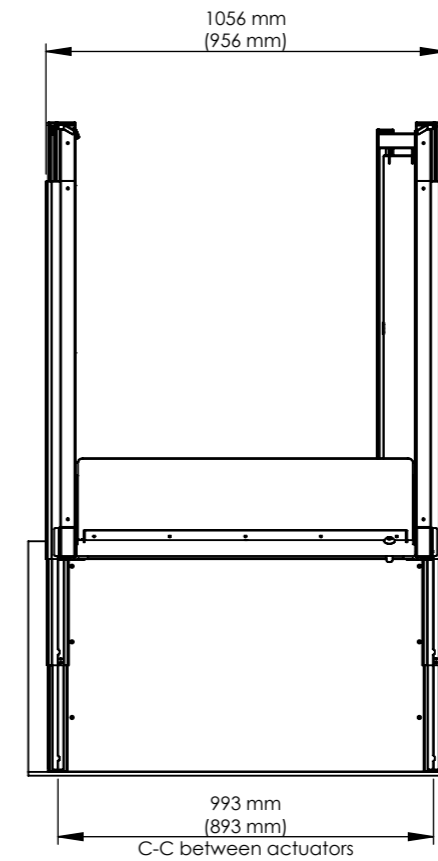
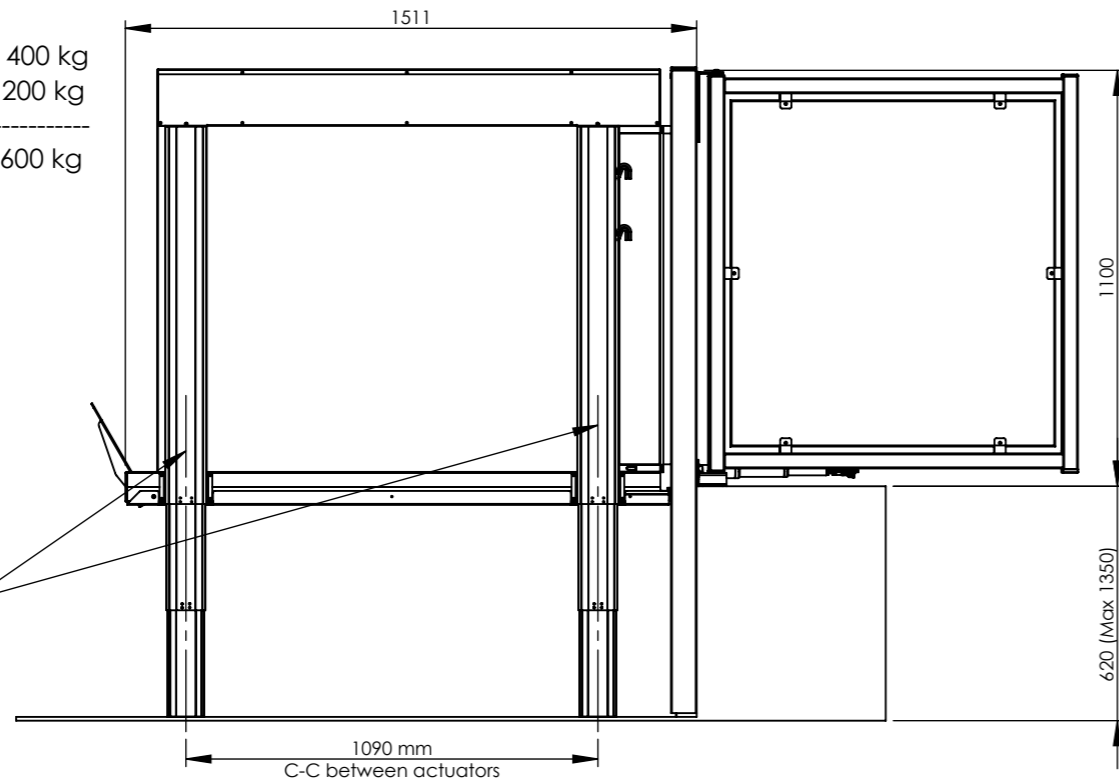



Max. load on EasyLift V3 = 400 kg
 Machine load = 200 kg

 Total load = 600 kg

Max. static load/actuator 200 kg



Dimensions for model 900
 (Dimensions for model 800)

Rev.	By	Revision description.	Trident EasyLift 800 & 900 V3 PLUS		 TRIDENT
G	-	-	Created date:	Last change date:	
F	-	-	22-10-2018	22-10-2018	
BR	E	-	Material:	Tolerancer:	Sheet size: A3 Scale: 1:20
D	-	-	mm Bom	Weight:	
K-Factor	C	-	Finish:		Drawn by: JGJ
B	-	-	-		